

ERBU

E-F12198 ULTRA

12MP IR Fisheye Network Camera



Accessories

PFA100



PFB302S



PFA152



PFA105



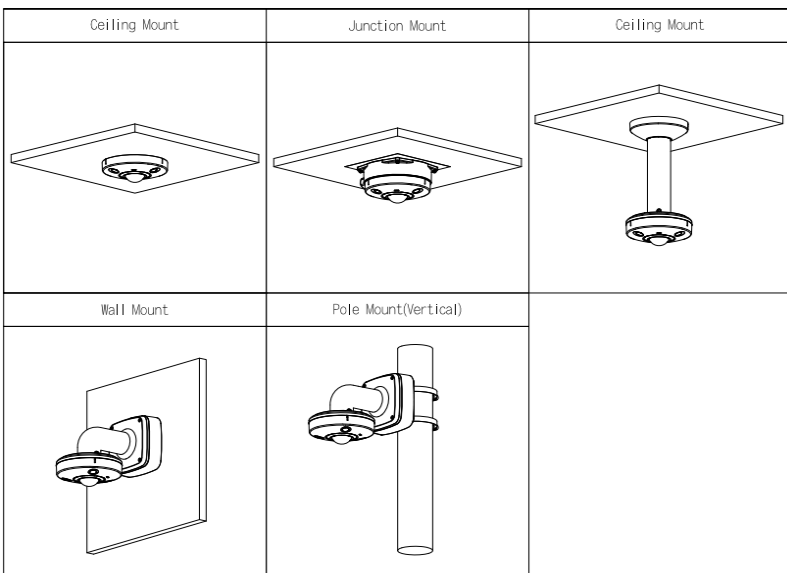
PFA110



PFB300C



Installation Method

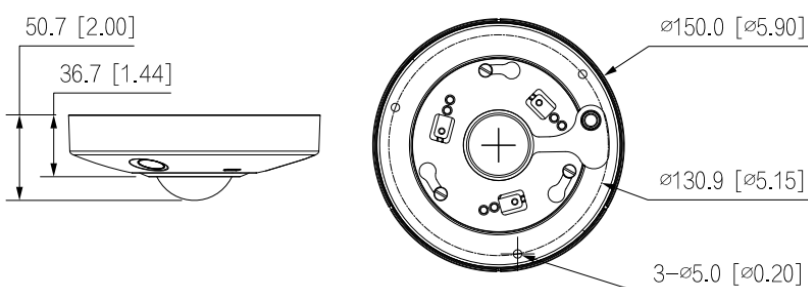


Technical Specification

Camera

Image Sensor	1/1.7" CMOS
Max. Resolution	4000 (H) × 3000 (V)
ROM	128 MB
RAM	1 GB
Scanning System	Progressive
Electronic Shutter Speed	Auto/Manual 1/3 s–1/100,000 s
Min. Illumination	0.001 lux/F2.8 (Color, 1/3s, 30 IRE) 0.01 lux/F2.8 (Color, 1/30s, 30 IRE) 0 lux/F2.8 (IR on)
S/N Ratio	>56 dB
Illumination Distance	Up to 10 m (33 ft)
Illuminator On/Off Control	Auto / Manual
Illuminator Number	3 (IR LED)

Dimensions mm (inch)



Technical Specification

Lens

Lens Type	Fixed focal			
Focal Length	1.98 mm			
Max. Aperture	F2.8			
Field of View	Horizontal: 180° Vertical: 180°			
DORI Distance	Detect	Observe	Recognize	Identify
	42 m	17 m	8 m	4 m

Smart Event

IVS	Tripwire, Intrusion
Heat Map	Yes

Video

Video Compression	H.265+; H.265; H.264+; H.264
Video Frame Rate	Main Stream: 4000 × 3000@(1–25 fps)/2880 × 2880@(1–25/30 fps) Sub Stream: 704 × 576@(1–25/30 fps)/704 × 480@(1–25/30 fps) Third Stream: 1280 × 960@(1–25/30 fps) *The values above are the max. frame rates of each stream; for multiple streams, the values will be subjected to the total encoding capacity
Stream Capability	3 streams
Resolution	12M (4000 × 3000); 8M (2880 × 2880); 6M (2880 × 2160); 3M (2048 × 1536); 1.3M (1280 × 960); D1 (704 × 576/704 × 480); CIF (352 × 288/352 × 240)
Bit Rate Control	CBR/VBR
Video Bit Rate	H.265: 3 kbps–9984 kbps H.264: 8 kbps–16384 kbps
Day/Night	Auto (ICR)/Color/B/W
BLC	Yes
HLC	Yes
WDR	DWDR
White Balance	Auto/natural/street/lamp/outdoor/manual/regional custom
Gain Control	Manual / Auto
Noise Reduction	3D NR
Motion Detection	OFF/ON (4 areas, rectangular)
Region of Interest (RoI)	Yes (4 areas)
Smart Illumination	Yes
Defog	Yes
Privacy Masking	4 areas

Audio

Built-in MIC	Yes
Audio Compression	G.711a; G.711Mu; G.726

Network

Network Port	RJ-45 (10/100/1000 Base-T)
Network Protocol	HTTP; HTTPS; TCP; ARP; RTSP; RTP; UDP; SMTP; FTP; DHCP; DNS; DDNS; PPPOE; IPv4/v6; QoS; UPnP; NTP; Bonjour 802.1x; Multicast; ICMP; IGMP; SNMPCast; ICMP; IGMP; NFS; PPPoE; SNMP
Interoperability	ONVIF, PSIA, CGI
User/Host	10 Users/20 Users
Storage	NAS; Local PC for instant recording; Mirco SD card 128GB
Browser	IE, Chrome, Firefox, Safari
Management Software	Smart PSS; DSS; Easy4ip, EasyViewer Pro
Mobile Client	iOS; Android

Certification

Certifications	CE (EN 60950: 2000) UL: UL60950-1 FCC: FCC Part 15 Subpart B
----------------	--

Port

Audio Input	1 channel (RCA port)
Audio Output	1 channel (RCA port)
Alarm Input	2 channels in: wet contact, 5 mA 3–5 VDC
Alarm Output	2 channels out: dry contact, 1,000 mA 30 VDC/500 mA 50 VAC

Power

Power Supply	12 VDC/PoE (802.3af)
Power Consumption	<12W

Environment

Operating Temperature	–30 °C to +60 °C
Operating Humidity	0%–95% (RH), non-condensing
Storage Temperature	–30 °C to +60 °C
Protection	IP67; IK10

Environment

Casing Material	Metal
Product Dimensions	Φ149.8 mm × 47.7 mm
Net Weight	0.58 kg
Gross Weight	1 kg